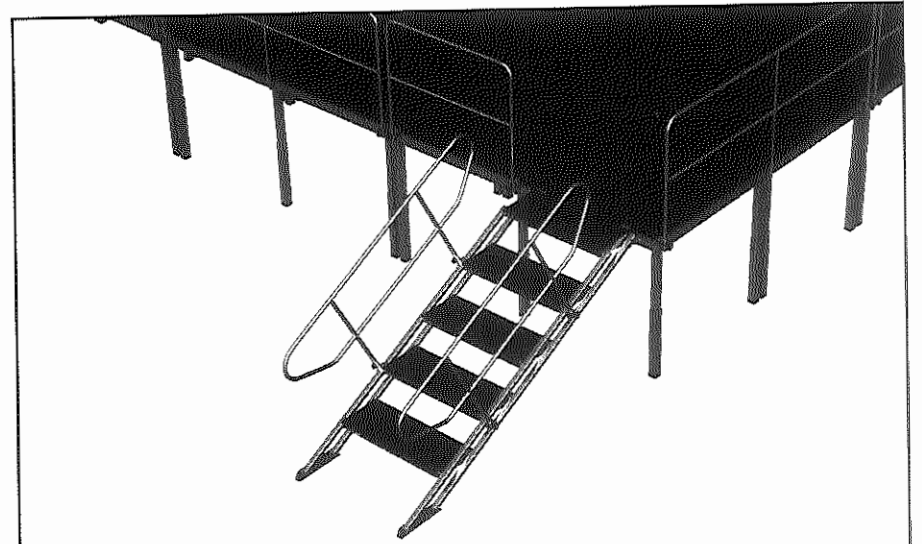




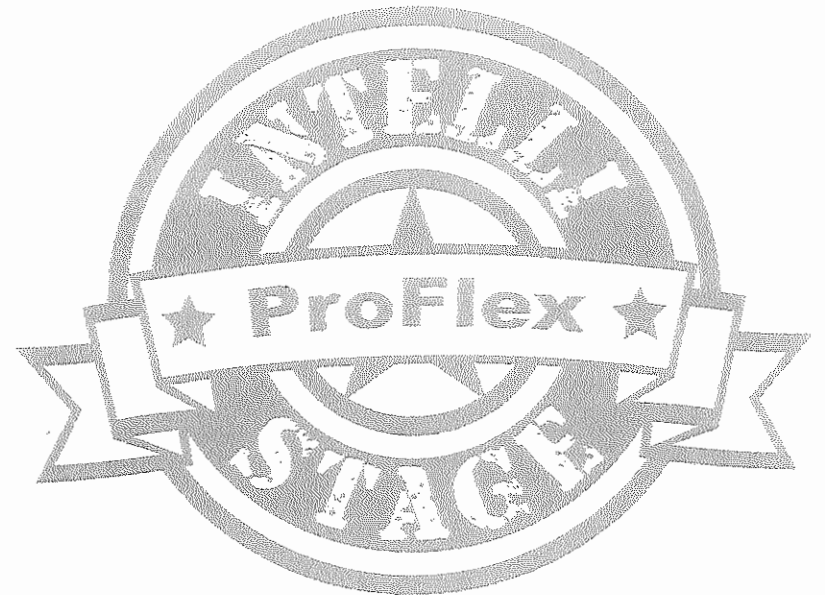
ProFlex Staging by IntelliStage™
12662 Corral Place • Santa Fe Springs CA 90670
Ph: 562.906.6185 • Fax: 562.906.6186
Email: usa@intellistage.com • www.proflexstaging.com

VI.2.4.23.12



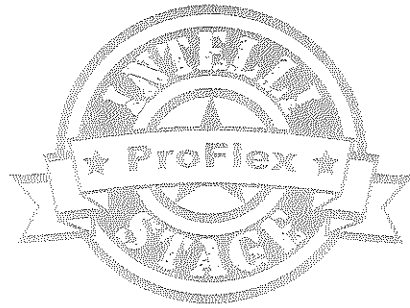
ProFlex Staging

by IntelliStage™



ProFlex Staging

by IntelliStage™



Contents

Introduction	2
About ProFlex Staging	2
Features	3
Specifications	3
Important Safety Instructions	3
Meet the Components	4
Leg Assembly Procedure	5
Stage Assembly using Adaptors for Stage Heights up to 32" (80cm)	6-20
Stage Assembly for Stage Heights Higher than 32" (80cm)	21-24
Stair assembly and installation	25
Guardrail and skirt assembly	26-29
Transportation and storage system	30
List of SKU's	31

Introduction

Thank you for being our customer and welcome to the family.

We do one thing and do it well – build products that make your life easier. Crafting innovative, quality products is our calling and we take it seriously. Strong, lightweight and versatile, your **ProFlex Staging by IntelliStage™** system is crafted out of the finest materials available and put through our grueling quality check before it ships out the door.

We thank you for your purchase and know that your **ProFlex Staging by IntelliStage™** system will definitely steal the show! However, if you should require any assistance or service, you'll find that we take as much pride in supporting our products as we do in designing and building them.

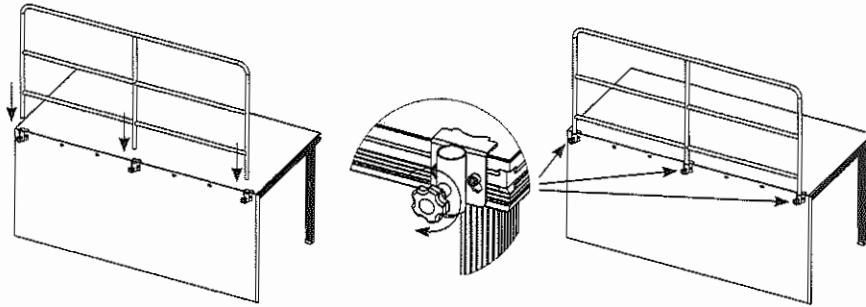
About ProFlex Staging by IntelliStage™

Perfect for indoor and outdoor concerts, performances and large exhibits, **ProFlex Staging by IntelliStage™** is one of the most versatile and rugged professional staging systems on the market today. Consisting of rugged ProFlex staging platforms (available in 2 finishes) and lightweight, aluminium, telescoping, height-adjustable legs, ProFlex stages are available in several heights options ranging from 16" (40cm) up to 78" (200cm)! ProFlex can easily be set-up by 2 people and is versatile enough to be set-up on slopes and un-even ground. It can bear up to 153 lbs per sq. foot (750 KGS/sq. meter) and optional accessories such as guardrails, skirts and storage/transportation trolleys are also available.

SKU	DESCRIPTION
PFP8X4IB	8ft x 4ft Industrial Finish Stage Panel, Black - single pack
PFP8X4W	8ft x 4ft Wood Finish Stage Panel, - single pack
PFEP2X1IB	2m X 1m Industrial Finish Stage Panel, Black - single pack
PFEP2X1W	2m X 1m Wood Finish Stage Panel, - single pack
PFTL1	Telescopic Leg Adjustable from 15 3/4" to 19 1/2" - single pack
PFTL2	Telescopic Leg Adjustable from 19 3/4" to 27 1/2" - single pack
PFTL3	Telescopic Leg Adjustable from 23 3/4" to 35 1/2" - single pack
PFTL4	Telescopic Leg Adjustable from 31 1/2" to 51" - single pack
PFTL5	Telescopic Leg Adjustable from 39 1/2" to 62 3/4" - single pack
PFTL6	Telescopic Leg Adjustable from 47 1/4" to 78 1/2" - single pack
PF4TL1	Telescopic Leg Adjustable from 15 3/4" to 19 1/2" - four pack
PF4TL2	Telescopic Leg Adjustable from 19 3/4" to 27 1/2" - four pack
PF4TL3	Telescopic Leg Adjustable from 23 3/4" to 35 1/2" - four pack
PF4TL4	Telescopic Leg Adjustable from 31 1/2" to 51" - four pack
PF4TL5	Telescopic Leg Adjustable from 39 1/2" to 62 3/4" - four pack
PF4TL6	Telescopic Leg Adjustable from 47 1/4" to 78 1/2" - four pack
PFETL1	Telescopic Leg Adjustable from - 40 cm to 50 cm- single pack
PFETL2	Telescopic Leg Adjustable from - 50 cm to 70 cm- single pack
PFETL3	Telescopic Leg Adjustable from - 60 cm to 90 cm- single pack
PFETL4	Telescopic Leg Adjustable from - 80 cm to 130 cm- single pack
PFETL5	Telescopic Leg Adjustable from - 100 cm to 160 cm- single pack
PFETL6	Telescopic Leg Adjustable from - 120 cm to 200 cm- single pack
PFE4TL1	Telescopic Leg Adjustable from - 40 cm to 50 cm- 4 pack
PFE4TL2	Telescopic Leg Adjustable from - 50 cm to 70 cm- 4 pack
PFE4TL3	Telescopic Leg Adjustable from - 60 cm to 90 cm- 4 pack
PFE4TL4	Telescopic Leg Adjustable from - 80 cm to 130 cm- 4 pack
PFE4TL5	Telescopic Leg Adjustable from - 100 cm to 160 cm- 4 pack
PFE4TL6	Telescopic Leg Adjustable from - 120 cm to 200 cm- 4 pack
PFASTR2	Two Steps Adjustable Stairs for Stages 15 3/4" to 23 1/2" (0,4m - 0,6m)
PFASTR4	Four Steps Adjustable Stairs for Stages 23 3/4" to 39 1/4" (0,6m - 1m)
PFASTR5	Five Steps Adjustable Stairs for Stages 31 1/2" to 55" (0,8m - 1,4m)
PFASTR7	Seven Steps Adjustable Stairs for Stages 39 1/2" to 70 3/4" (1m - 1,8m)
PFESTR4	Fixed Steps; first 20 cm high and second 40 cm high.
PFGR4	4ft Long Stage Guardrail - single pack - Mounting Hardware included
PF2GR4	4ft Long Stage Guardrail - dual pack - Mounting Hardware included
PFGR8	8ft Long Stage Guardrail - single pack - Mounting Hardware included
PF2GR8	8ft Long Stage Guardrail - dual pack - Mounting Hardware included
PFGR1	1m Stage Guardrail - single-pack - Mounting Hardware included
PFE2GR1	1m Stage Guardrail - dual-pack - Mounting Hardware included
PFEGR2	2m Stage Guardrail - single pack - Mounting Hardware included
PFE2GR2	2m Stage Guardrail - dual-pack - Mounting Hardware included
PFASTR	Universal, Adjustable Stair Handrail. Fits all Adjustable Stairs - single pack, Mounting hardware included
PF2ASTGR	Universal, Adjustable Stair Handrail. Fits all Adjustable Stairs - dual pack, Mounting hardware included
PFAI	Assembly Inserts - single pack
PF10AI	Assembly Inserts - 10 pack
PFDI	Double Assembly Inserts - single pack
PF10DI	Double Assembly Inserts - 10 pack
PFSC	Panel to Panel Stage Connector
PF2PSC	Dual pack of Panel to Panel Stage Clamp
PF6PSC	Panel to Panel Stage Clamp - 6pack
PF10SC	Panel to Panel Stage Connector - 10 pack
PF10SLI	Ten pack of Self-Leveling Panel Insert
PFGRCL	Guardrail Assembly Clamps - single pack
PF2GRCL	Guardrail Assembly Clamps - dual pack
PF4GRCL	Guardrail Assembly Clamps - 4 pack
PFLA2	Leg Adaptor for two Panels - single pack
PF2LA2	Leg Adaptor for two Panels - dual pack
PFLA4	Leg Adaptor for four Panels - single pack
PFLB4	Leg Brace for 8 x4 ft Panels to connect Legs together - single pack - necessary for Stages over 32" high
PF2LB4	Leg Brace for 8 x4 ft Panels to connect Legs together - dual pack - necessary for stages over 32" high
PFDSLCL	Dual Stage Leg Clamp, necessary for all Stages higher than 23 1/2"
PFE2LB1	Leg brace kit used for stages 150cm and higher. Pack includes 2 x PFLB1 + 4 x PFBC
PFE2LB2	Leg brace kit used for stages 150cm and higher. Pack includes 2 x PFLB2 + 4 x PFBC
PFBC	Leg Clamp for attachment of Leg Brace to Leg - single pack
PF2BC	Leg Clamp for attachment of Leg Brace to Leg - dual pack
PFGMB	Guardrail Mounting Bracket
PFGRTR	Guardrails Trolley - stores up to 22 pcs of 8 ft Guardrails
PFPTTR	Platform Trolley - stores up to 10 pcs. of 8x4 ft Panels
PFEGRTR	Guardrails Trolley - stores up to 24 pcs. of 2 m Guardrails
PFEPTR	Platform Trolley - stores up to 15 pcs. of 2 X 1 m Panels
PFDEMO	ProFlex demo kit

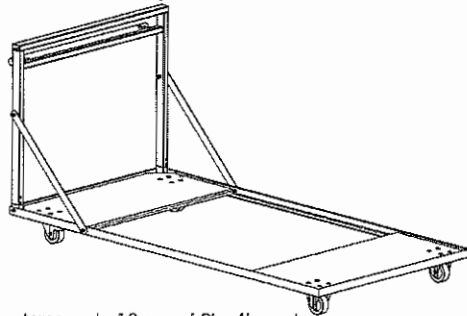
3. Insert the guardrail into the guardrail assembly clamps.

4. Fasten the guardrails in assembly clamps PFGRCCL by tightening knobs.



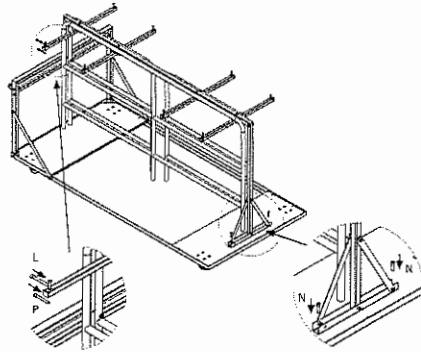
Transportation and Storage

Refer to manual included with product for assembly instructions.



PFPTR- Imperial panel trolley-stores up to 10 pcs of 8' x 4' panels

PFEPTR- Metric panel trolley-stores up to 15pcs of 2m x 1m panels



PFGTR- Imperial storage/transportation trolley stores up to 22 8ft or 44 4ft long guardrails or a combination of both

PFEGR- Metric storage/transportation trolley stores up to 24 2m or 48 1m long guardrails or a combination of both

Features:

Stage Panels:

- Lightweight and compact for easy setup, transport and storage.
- 5/8" (15mm) panel thickness
- Weight capacity:153 lbs per sq. foot (750 KGS/sq. Meter).

Legs:

- Light weight, aluminium, telescoping, height adjustable legs
- Adjustable legs are available in various lengths 16" up to 78" (40cm up to 200cm)
- Legs may be shared between adjacent platforms thanks to specially designed leg adaptors

Specifications

Stage Panels:

- Finish: Natural wood or black industrial finish
- Sizes: Available in imperial and metric sizes

Imperial

- 8' x 4' Natural wood finish platforms - 99lbs (45kg)
- 8' x 4' Black industrial finish platforms - 107lbs (49kg)

Metric

- 2m x 1m Natural wood finish platforms - 65bs (29kg)
- 2m x 1m Black industrial finish platforms - 72lbs (33kg)

Legs:

- Finish and Material: Aluminum
- Height adjustable legs are available in imperial and metric sizes and in following height ranges:

Imperial

- PFTL1**- 16", adjustable from (15 3/4" to 19 1/2")
- PFTL2**- 24", adjustable from (19 3/4" to 27 1/2")
- PFTL3**- 24" and 32", adjustable from (23 3/4" to 35 1/2")
- PFTL4**- 32", 40", 48", adjustable from (31 1/2" to 51")
- PFTL5**- 40",48",56",62", adjustable from (39 1/2" to 62 3/4")
- PFTL6**- 48",56",62",70",78", adjustable from (47 1/4" to 78 1/2")

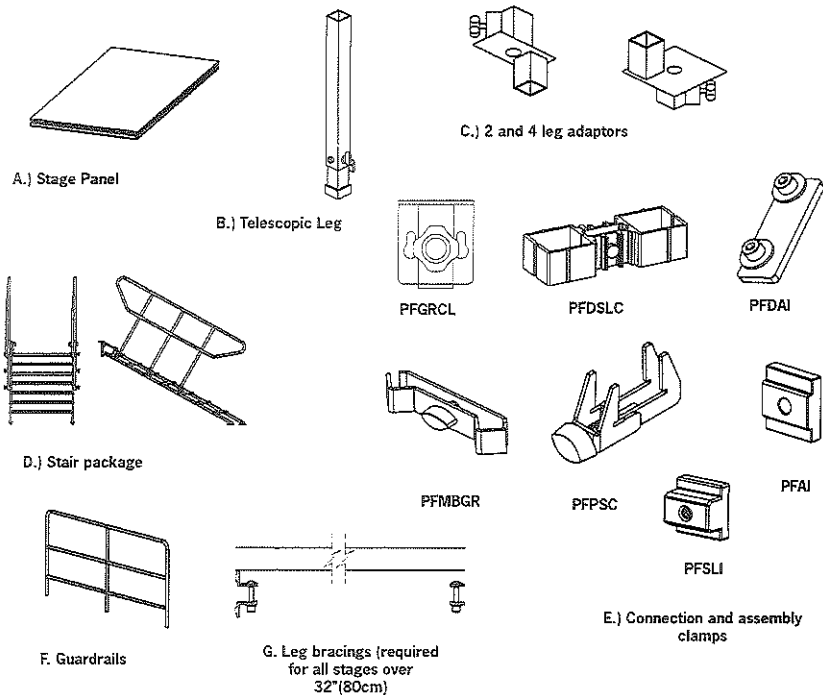
Metric

- PFETL1**- 40cm, adjustable from (40cm to 50cm)
- PFETL2**- 60cm, adjustable from (50cm to 70cm)
- PFETL3**- 60cm, 80cm, adjustable from (60cm to 90cm)
- PFETL4**- 80cm,100cm,120cm, adjustable from (80cm to 130cm)
- PFETL5**- 100cm,120cm,140cm,160cm adjustable from (100cm to 160cm)
- PFETL6**- 120cm,140cm,160cm, 180cm, 200cm adjustable from (120cm to 200cm)

Important Safety Instructions:

- 1.) Read and follow all instructions
- 2.) Do not exceed the maximum weight capacity
- 3.) Make sure all components are secured before use
- 4.) Make sure platforms are level before use of stage
- 5.) **Make sure all legs are in firm contact with the ground**

Meet the Components Imperial and metric size systems



A.) Stage Platform

Natural wood or Industrial finish surface. Supports up to 153 lbs per sq. foot (750 KGS/sq. Meter). Please see options available on page 3.

B.) Leg

Height adjustable, telescopic legs available in various height options. Please see options available on page 3.

C.) 2 and 4 Leg Adaptors

Allows stage legs to be shared among stage platforms.

D.) Stair Package

Stairs are available in 2,4,5 or 7 step packages depending on the height of the stage. Handrails are available separately.

E.) Connection and assembly clamps

PFGRCL- Guardrail/handrail assembly clamp.

PFPSC- Clamp to connect stage panels together.

PFSLI - Self-leveling stage panel insert.

PFMBGR- Guardrail mounting bracket.

Connects guardrails together.

PFDSL- Clamp to fasten stage legs together.

PFAI- Single assembly insert designed to attach skirts, guardrails, stairs and other accessories to stage.

PFDAI- Double assembly insert designed to attach skirts, guardrails, stairs and other accessories to stage

F.) Guardrails

Guardrails are optional stage add-ons that provide an additional measure of safety.

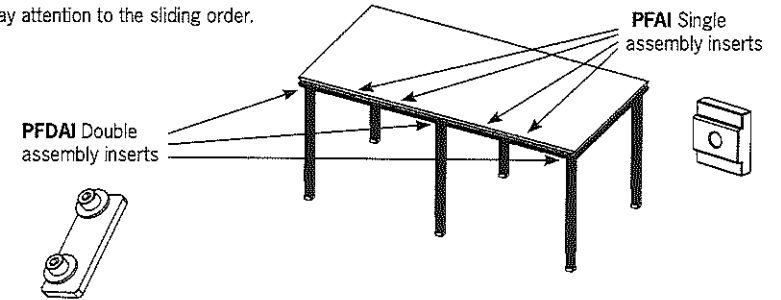
G.) Leg bracings

Required on all stages over 32" (80cm). Leg braces stabilize the stage at higher levels.

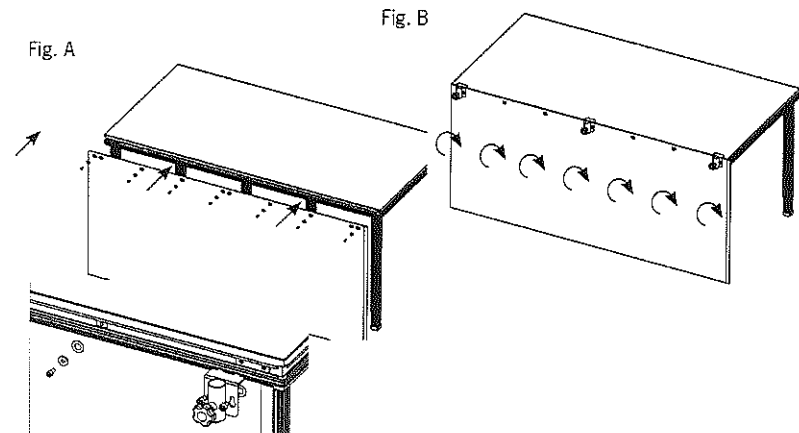
Skirt assembly (with guardrails)

1. Slide the needed number of single (**PFAI**) and double (**PFDAI**) assembly inserts into the platform profile.

WARNING! Pay attention to the sliding order.



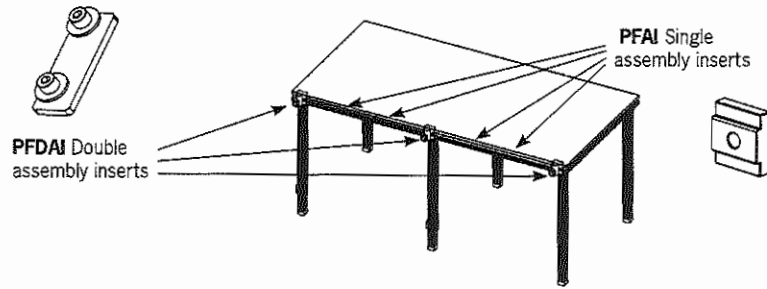
2. Hang the skirt onto the assembly inserts **PFDAI** and **PFAI** (Fig. A). Install guardrail assembly clamps **PFGRCL** and fasten all with the Allen key using screws and guardrail assembly clamps (Fig. B)



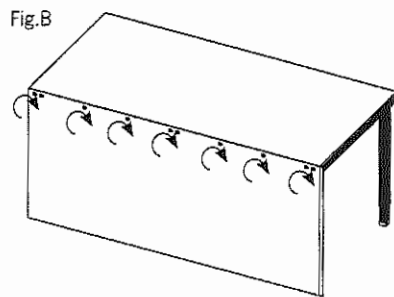
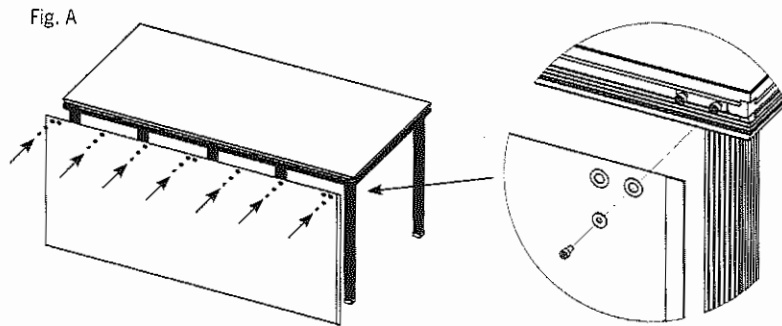
Skirt assembly (without guardrails)

1. Slide the needed number of single **PFAI** and double **PFDAI** assembly inserts into the platform profile.

WARNING! Pay attention to the sliding order.



2. Hang the skirt onto the assembly inserts (Fig. A) and fasten it with the Allen key (Fig. B)



Before you begin

Unpack all hardware and accessories and familiarize yourself with the individual pieces. Verify you have all components and enough space to set up your stage.

Leg Assembly Procedure

Legs have Red and Black height scales on the sides. There are 3 ways to assemble legs. Legs can be assembled with no adaptors, with a 2-way adaptor or with a 4-way adaptor. Imperial stage panels have 6 leg sockets, while metric stage panels have 4 leg sockets. Leg assembly methods will vary depending on your stage set-up (this will be reviewed in the coming pages).

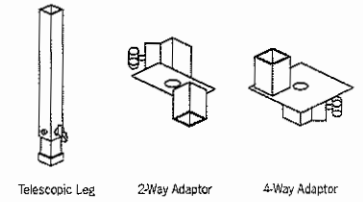
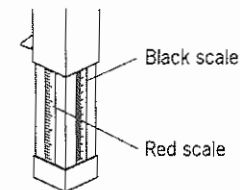
1. Legs can be set-up without adaptors as shown in step 1. Use the Black scale to adjust the legs to the required height and secure by tightening knob.

2. Legs can be set-up with 2 way adaptors as shown in step 2. Please insert adapter **PFLA2** onto the leg. Use the Red scale to adjust the legs to the required height and secure by tightening knob.

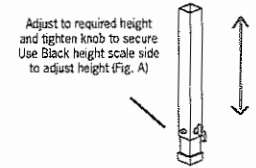
3. Legs can be set-up with a 4 way adaptors as shown in step 3. Please insert adaptor **PFLA4** onto the leg. Use the Red scale to adjust the legs to the required height and secure by tightening knob.

4. Finish setting up all legs to the required height.

Fig. A

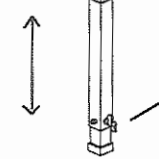


①



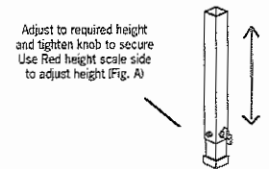
Adjust to required height and tighten knob to secure. Use Black height scale side to adjust height (Fig. A)

②



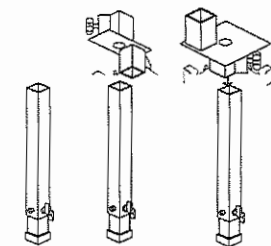
Adjust to required height and tighten knob to secure. Use Red height scale side to adjust height (Fig. A)

③



Adjust to required height and tighten knob to secure. Use Red height scale side to adjust height (Fig. A)

④



Finish setting up all legs to the required height

Stage Assembly Using Adaptors for Stage heights up to 32" (80cm)

Putting together your **ProFlex Staging by IntelliStage™** system was designed to be simple enough for anyone to do.

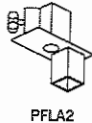
Legend



Leg used with no adaptor



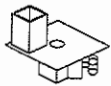
Leg used with adaptor for 2 panels



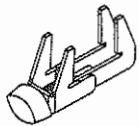
PFLA2



Leg used with adaptor for 4 panels



PFLA4



Panel to panel clamp

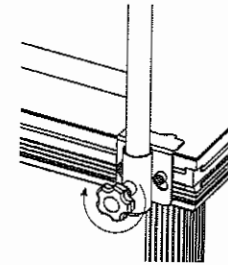
PFPS



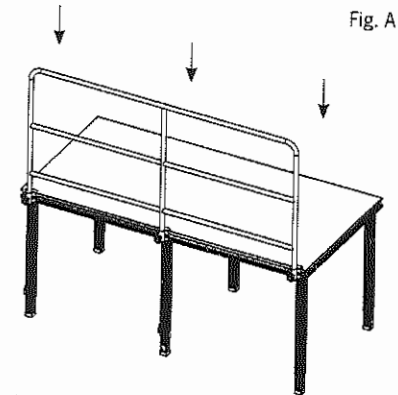
Self leveling panel inserts

PFSLI

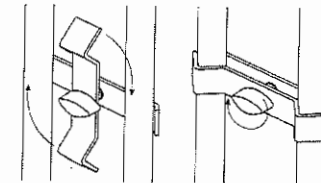
2. Insert the ends of the guardrails into the **PFGRC**L clamps and tighten by turning knob.



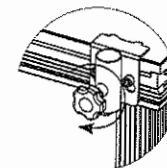
3. Lift the guardrail with attached **PFGRC**L clamps and attach the guardrail to the stage by sliding the **PFGRC**L clamps into the **PFSAI** assemblies on the panel.



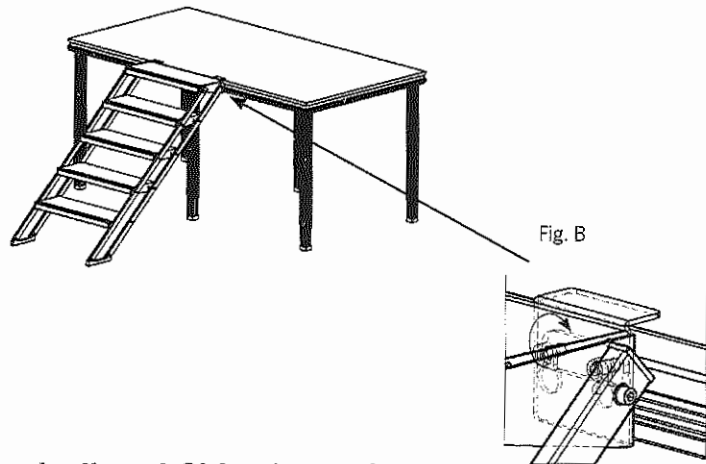
2. Install guardrails connecting clamps to join multiple guardrails together by using **PFSMB** guardrail to guardrail connection clamps. Attach the clamps to the guardrails as shown and tighten the knobs.



2. Once all guardrails are installed and connected with **PFSMB** guardrail to guardrail connection clamps. Tighten the **PFSAI** double assembly inserts to the stage and the **PFGPCL** guardrail assembly clamps using the Hex Key and re-tighten all the **PFGRC**L clamps by turning the knob.



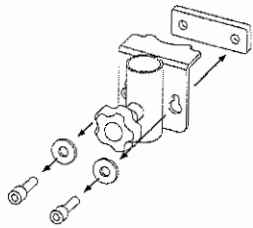
3. Fasten the stairs with the double assembly inserts **PFDAI** using the Allen key. Tighten all side screws on both sides of the stairs with an Allen key as shown below in (Fig. B).



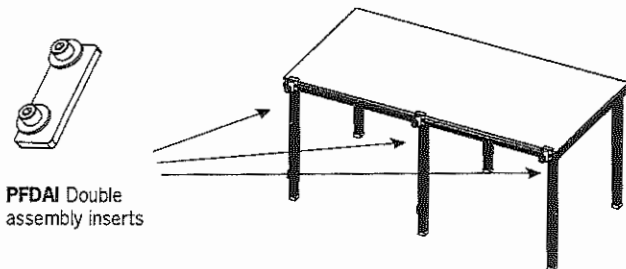
Guardrail and Skirt Assembly

Guardrail assembly (without skirt)

1. Unscrew the **PFDAI** double assembly inserts from the **PFGPCL** guard rail assembly clamps.

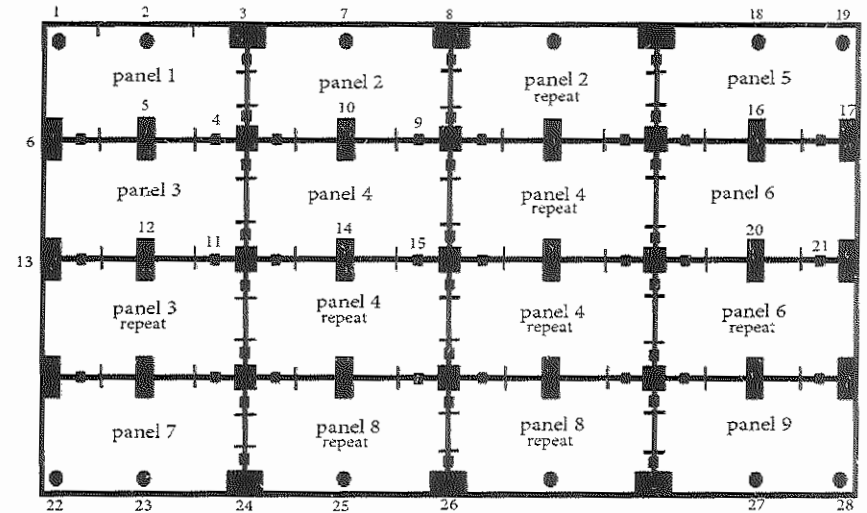


2. Slide 3 pcs of **PFDAI** double assembly inserts into the panel profile in order to assemble a 8' guardrail. For all other guardrails (4', 2M and 1M) slide 2 pcs of **PFDAI** double assembly inserts into the panel profile. Space the **PFDAI**'s along the panel according to the size of guardrail you are going to assemble.



Example of Stage Assembly

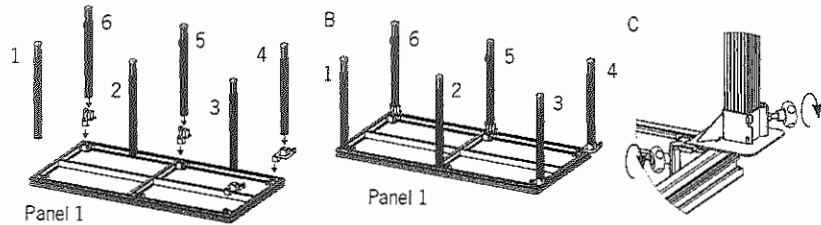
Configuration shown below is of Imperial staging system which features 6 leg sockets per panel. The same schematic can be applied to metric staging system which features 4 leg sockets.



Please refer to detailed instructions on how to set-up the panels of your stage on the following pages. Stage parts and panels are labeled on these pages and correspond to the legend on your left and stage assembly diagram above.

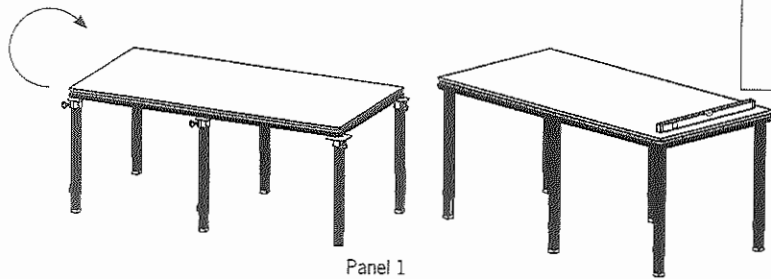
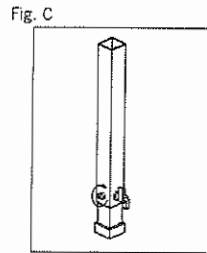
Assembly of panel 1

1. Place the first stage panel upside down and insert the height adjusted legs (see page 5) into the correct leg sockets (please refer to legend and stage scheme on pages 6 and 7).

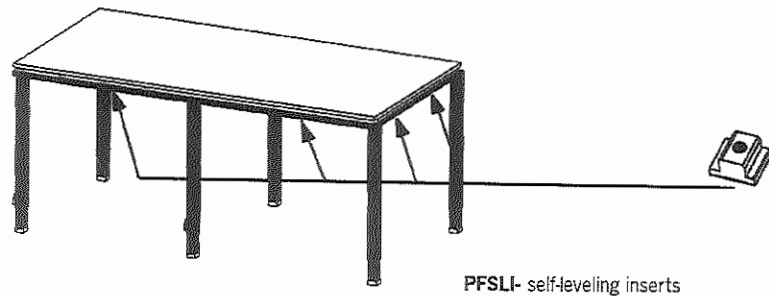


2. Turn Panel 1 Upright

3. Check to make sure panel is level. If necessary adjust legs accordingly and secure the height of all legs using wrench (see Fig.C).



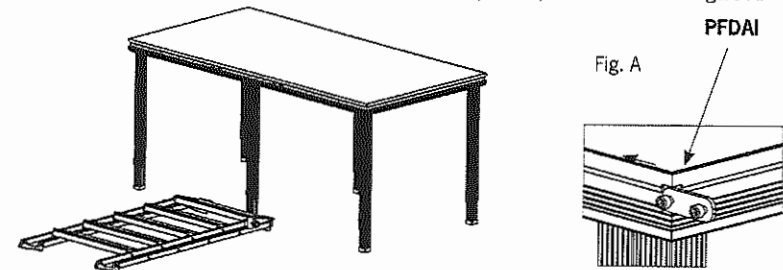
4. Place 2 pcs of **PFSLI** self-leveling inserts on each connection side where panel 1 will connect with another panel



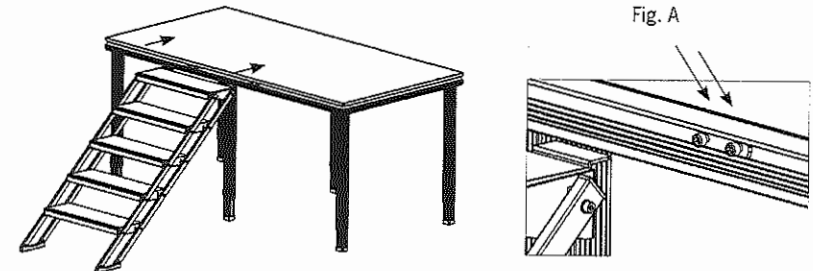
PFSLI- self-leveling inserts

Stair assembly and installation

1. Unscrew **PFDAI** double assembly inserts from the stair assembly (*please note: add leg braces before stair installation).
2. Slide 2 pcs of the double assembly insert **PFDAI** into the panel's profile as shown in figure A.

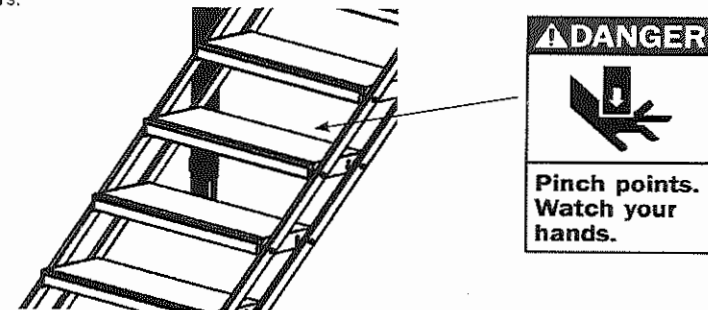


3. Stairs come folded down and locked into place. Unlock stairs by unhooking stair block on the side. Raise the stairs to the platform's height and place into position with the **PFDAI** double assembly insert on both sides of the stairs.



4. Fasten **PFDAI** double assembly inserts using the Allen key to firmly attach stairs to the stage. Tighten all side screws on both sides of the stairs with the Allen key

WARNING! While raising or lowering of the stairs do not to place fingers between 2 side profiles of the stairs.

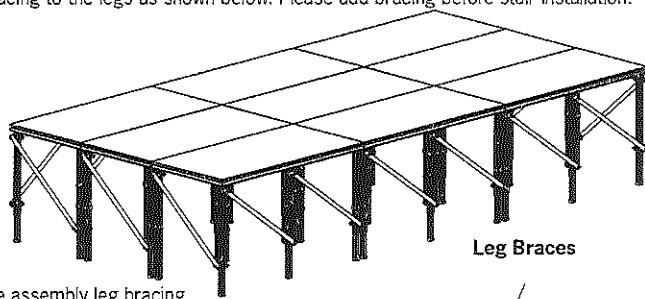


* Please refer to stair assembly manual for stair handrail installation instructions.

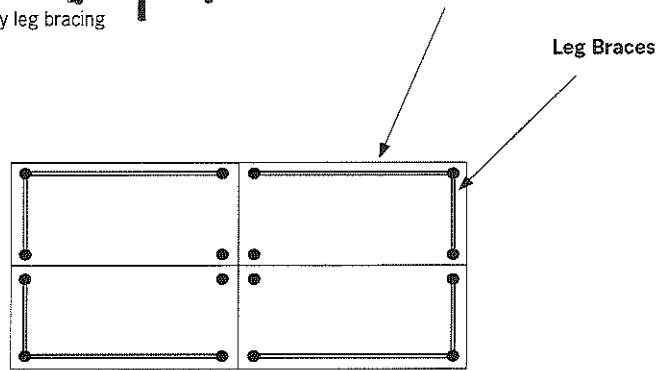
Leg bracing assembly and installation for heights over 32" (80 cm)

Please refer to manual included with leg braces for details

1. Attach the bracing to the legs as shown below. Please add bracing before stair installation.

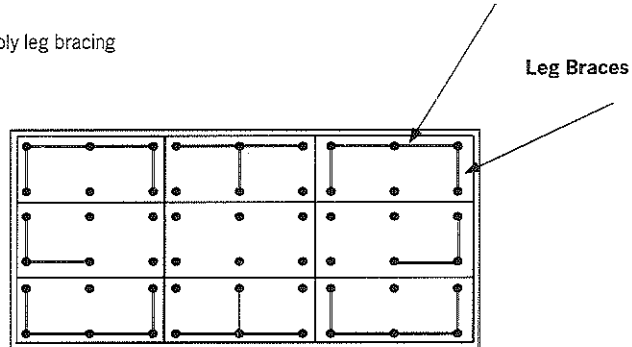


2. Metric stage assembly leg bracing



Assemble the leg bracings around the stage perimeter

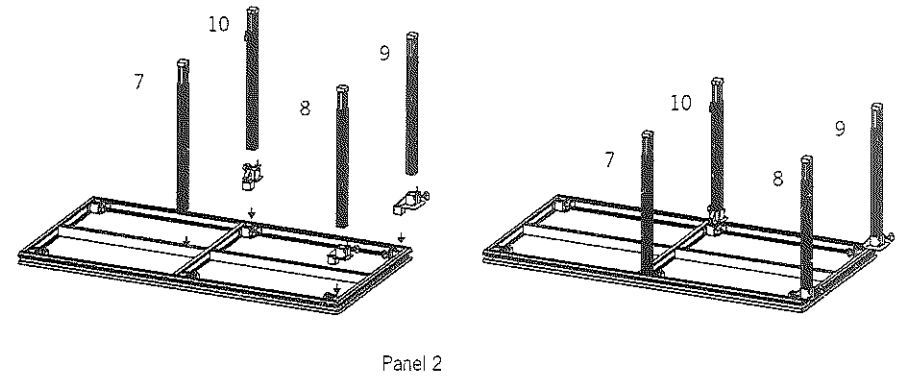
3. Imperial stage assembly leg bracing



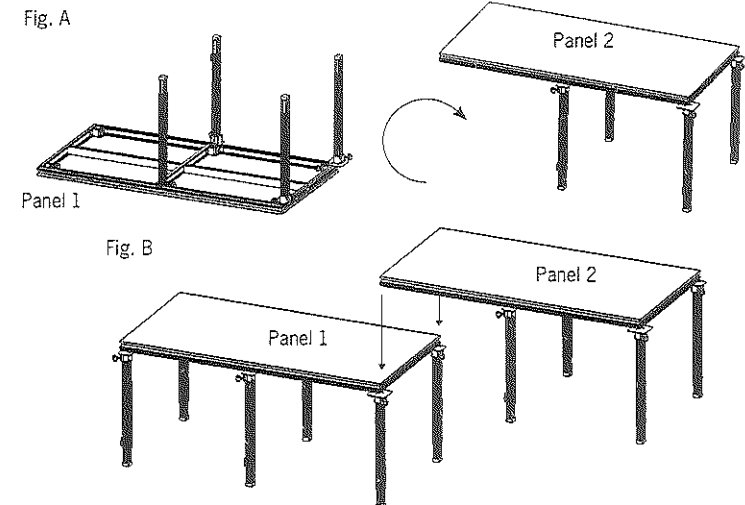
Assemble the leg bracings around the stage perimeter and each second to the inside

Adding panel 2

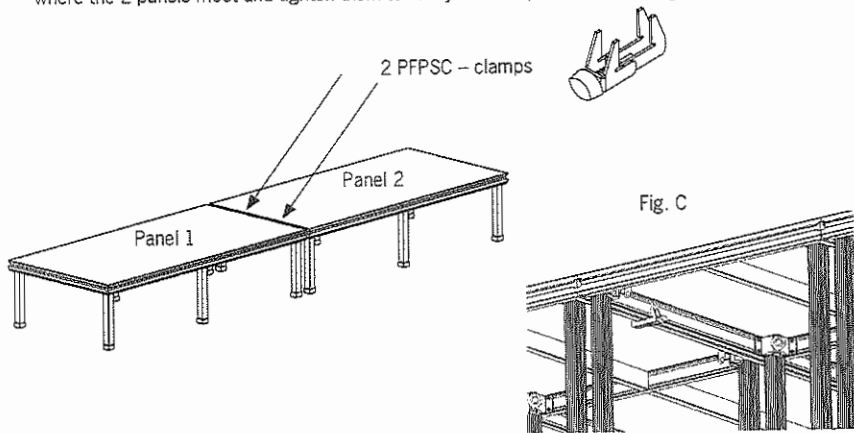
1. Assemble the 2nd panel according to the legend and stage scheme on pages 6 and 7.



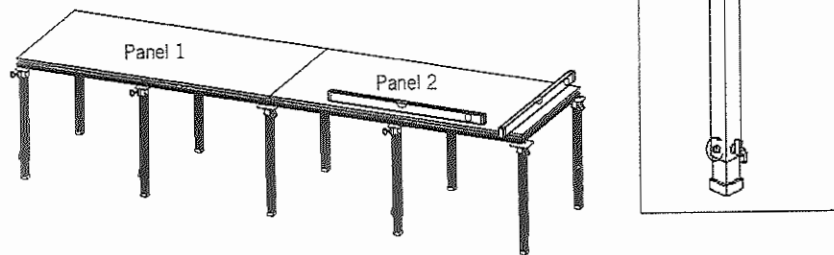
2. Turn panels upright with assembled legs and adaptors (Fig.A). Connect panel 2 with the panel 1 (Fig.B)



3. Attach 2pcs of the **PFPS** connection clamps on panel frames underneath the stage where the 2 panels meet and tighten them to firmly attach panel to panel (Fig.C).



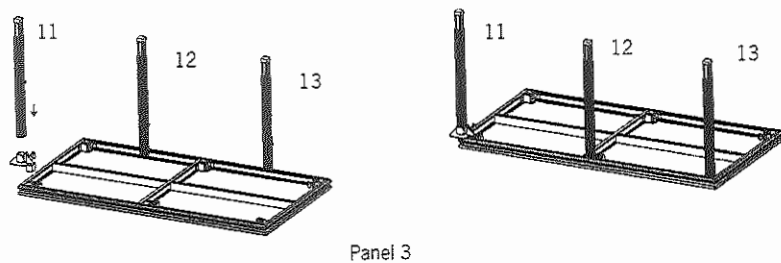
4. Check the level of panel 2. If necessary adjust legs accordingly and secure the height of all legs using wrench (see Fig. D).



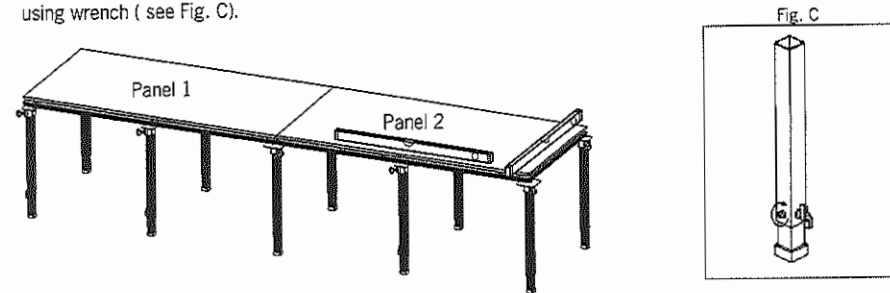
5. Place 2 pcs of **PFSLI** self-leveling inserts on each connection side where panels will connect with another panel as shown in step 4 on page 8.

Adding panel 3

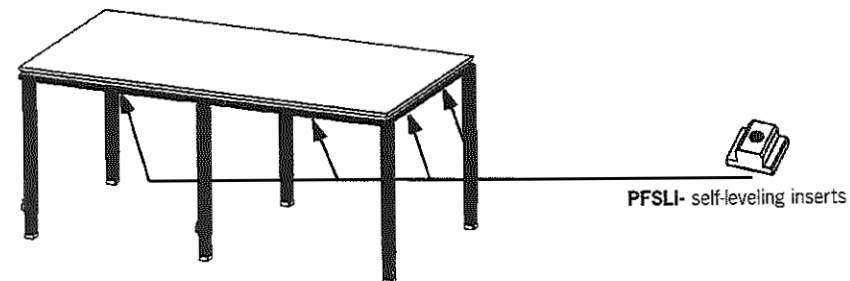
1. Assemble the panel 3 according to the legend and stage scheme on pages 6 and 7.



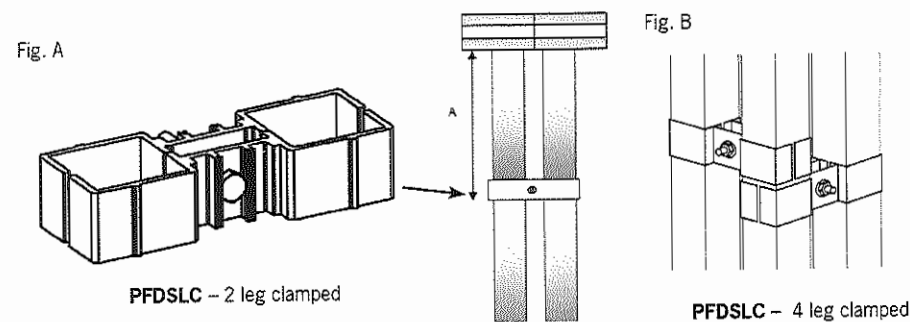
4. Check the level of panel 2. If necessary adjust legs accordingly and secure the height of all legs using wrench (see Fig. C).



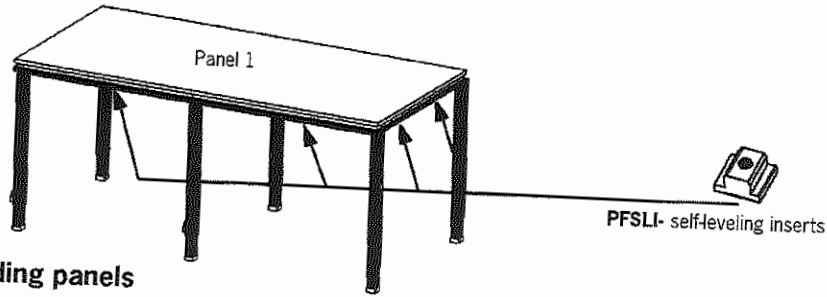
5. Place 2 pcs of **PFSLI** self-leveling inserts on each connection side where panels will connect with another panel as shown below.



6. After assembling all platforms connect all adjacent legs with the **PFDSL** leg clamp (Fig A). In places where are 4 adjacent legs use 2 **PFDSL** clamps (Fig. B).

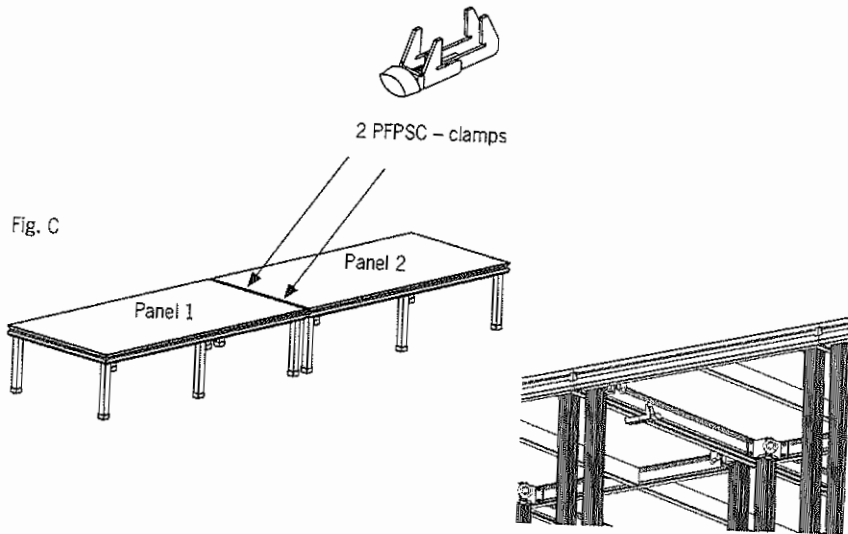


4. Place 2 pcs of **PFSLI** self-leveling inserts on each connection side where panel 1 will connect with another panel

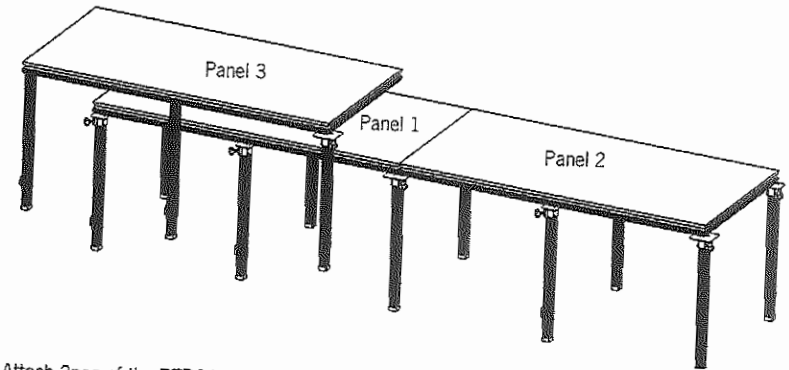
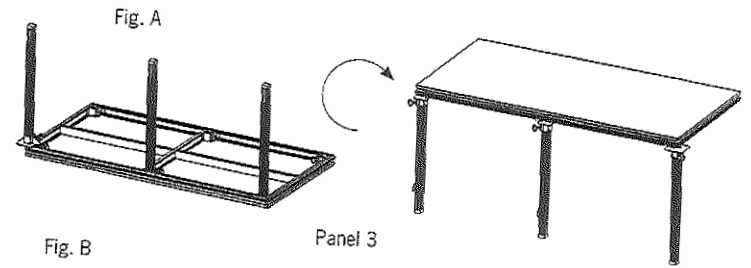


Adding panels

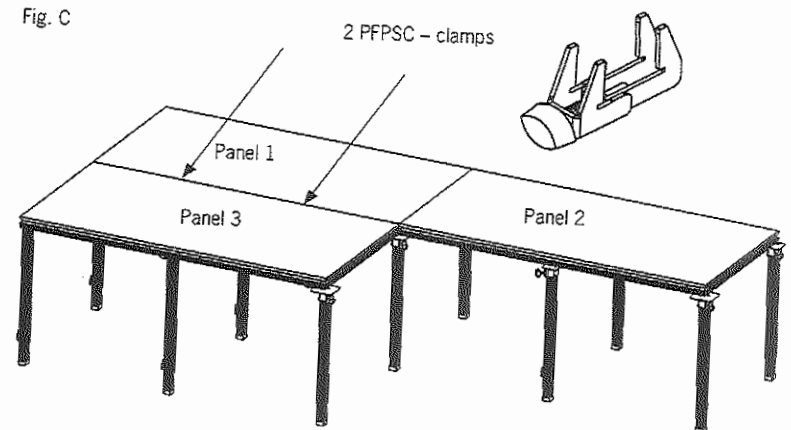
1. Assemble all other panels following the same instructions
2. Place panel 1 and panel 2 together. Attach 2 pcs of the **PFPC** connection clamps underneath the stage where the 2 panels meet and tighten (Fig. C).



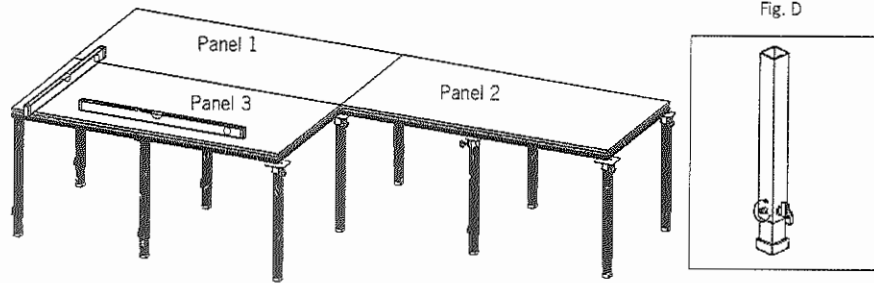
2. Turn panel 3 upright with assembled legs and adaptors (Fig. A). Connect panel 3 with panel 1 (Fig. B)



3. Attach 2pcs of the **PFPC** connection clamps on panel frames underneath the stage where the 2 panels meet and tighten them to firmly attach panel to panel (Fig.C).



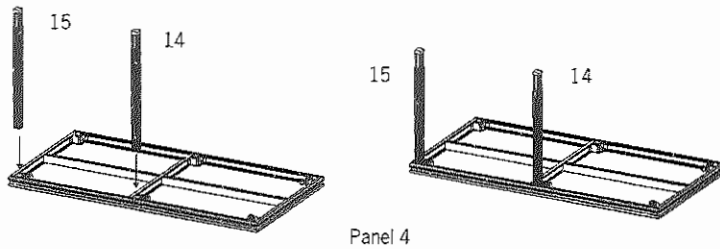
4. Check the level of panel 3. If necessary adjust legs accordingly and secure the height of all legs using wrench (see Fig. D).



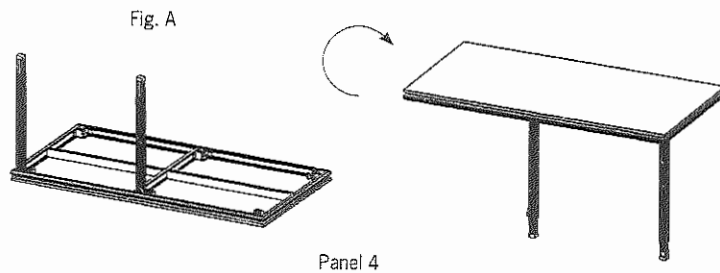
5. Place **PFSLI** self-leveling inserts on each connection side where panels will connect with another panel as shown in step 4 on page 8.

Adding panel 4

1. Assemble the panel 4 according to the legend and stage scheme on pages 6 and 7.



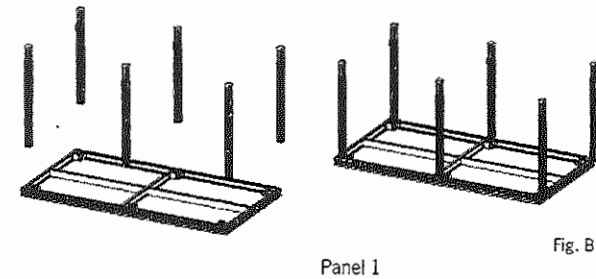
2. Turn panel 4 upright with assembled legs and adaptors (Fig. A). Connect panel 4 with other panels (Fig. B). Attach 2pcs of the **PFSC** connection clamps on panel frames underneath the stage where the 2 panels meet and tighten them to firmly attach panel to panel (Fig.C).



Stage Assembly for Stage heights higher than 32" (80cm)

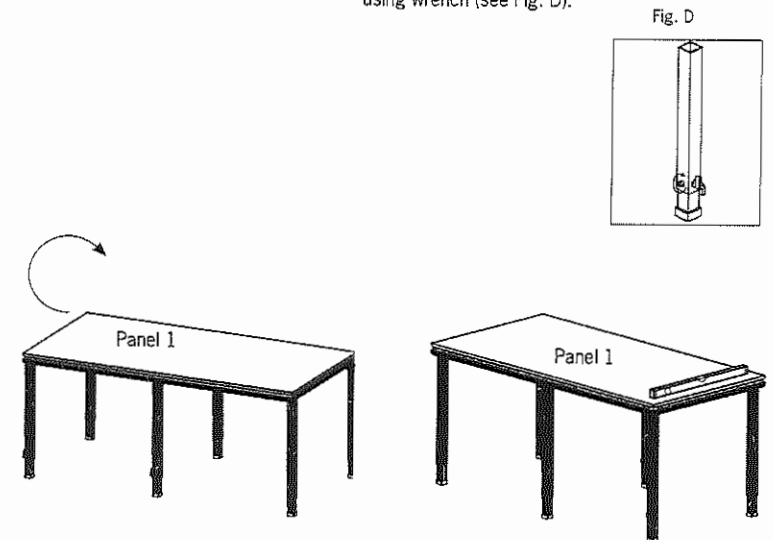
Putting together your **ProFlex Staging by IntelliStage™** system was designed to be simple enough for anyone to do.

1. Adjust the height of all your legs using the black height scale only on legs (as shown on page 5 of this manual.)
2. Place the first stage panel upside down and insert the the legs into the sockets.



3. Turn panel 1 upright.

4. Check the level of panel 1, If necessary adjust legs accordingly and secure the height of all legs using wrench (see Fig. D).



3. Connect panel 9 with other panels (Fig. B) Attach 4pcs of the PFPSC connection clamps underneath the stage on the connection side and tighten (Fig. B).

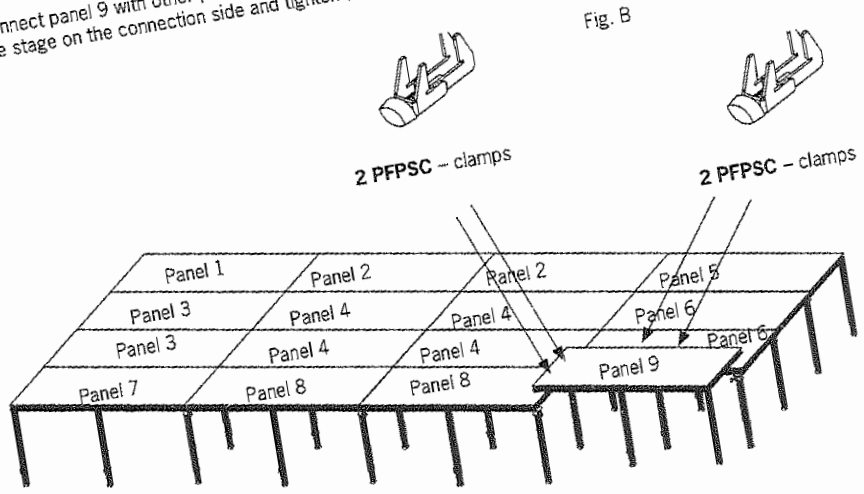


Fig. B

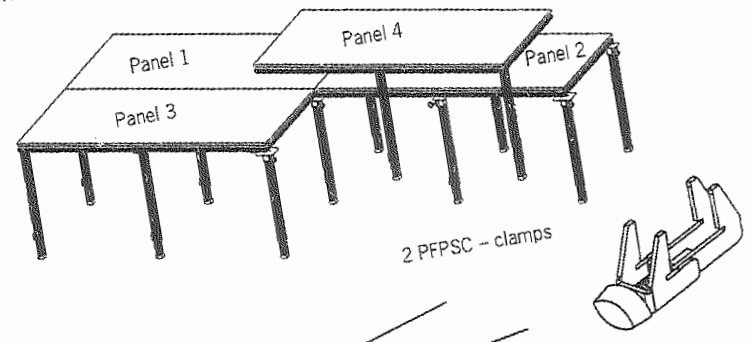
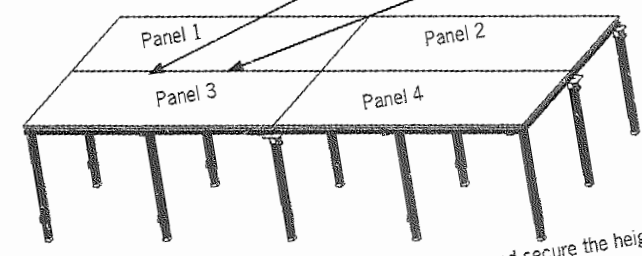
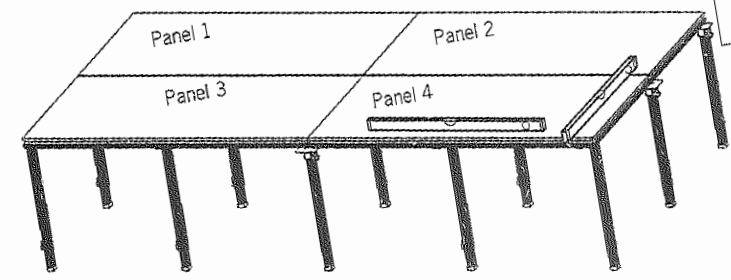
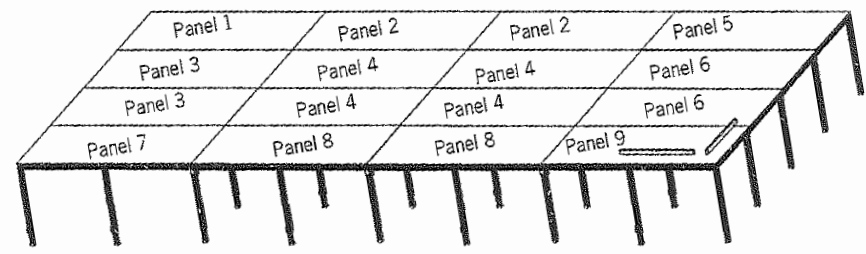
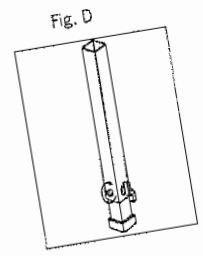


Fig. C



3. Check the level of panel 4. If necessary adjust legs accordingly and secure the height of all legs using wrench (see Fig. D).

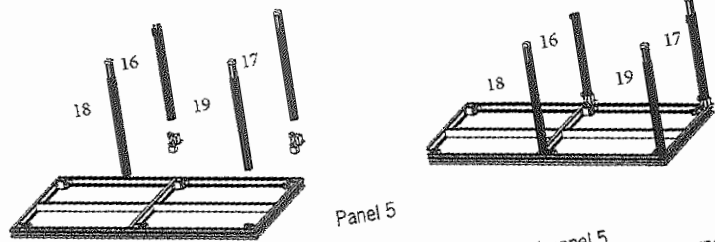
4. Check the level of the 9th platform panel, if necessary adjust legs accordingly and secure the height of all legs using wrench. (see Fig. D).



4. Place PFSLI self-leveling inserts on each connection side where panels will connect with another panel as shown in step 4 on page 8.

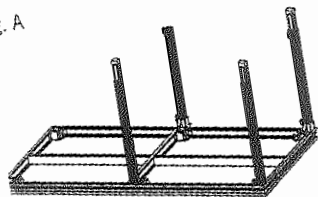
Adding panel 5

1. Assemble the panel 5 according to the legend and stage scheme on pages 6 and 7.



2. Turn around panel 5 with assembled legs and adaptors (Fig. A). Connect panel 5 with other panels (Fig. B). Attach 2pcs of the PFPSC connection clamps on panel frames underneath the staging where the 2 panels meet and tighten them to firmly attach panel to panel (Fig. B).

Fig. A



Panel 5

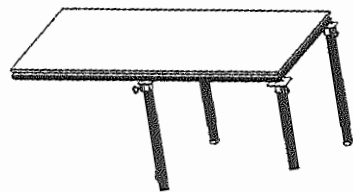
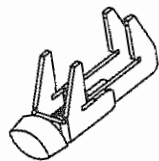
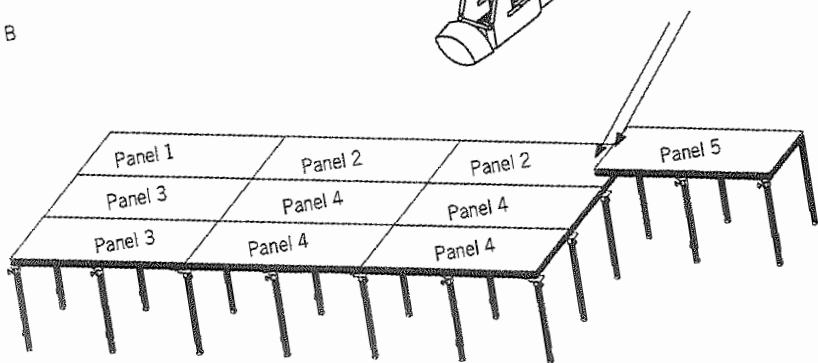


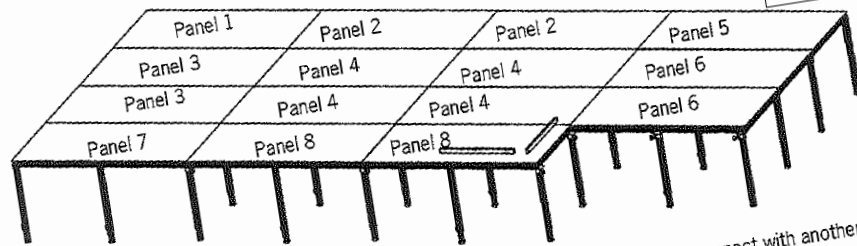
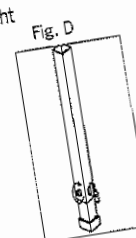
Fig. B



2 PFPSC - clamps



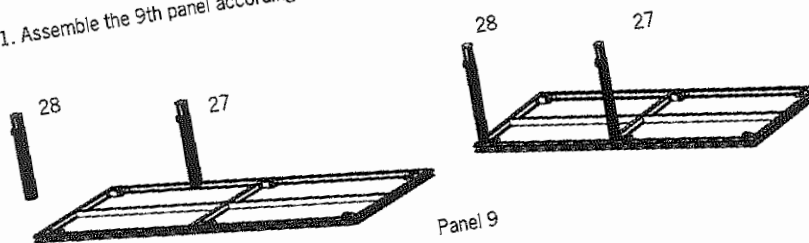
4. Check the level of the 8th panel, if necessary adjust legs accordingly and secure the height of all legs using wrench. (see Fig. D).



5. Place PFSLI self-leveling inserts on each connection side where panels will connect with another panel as shown in step 4 on page 8.

Adding panel 9

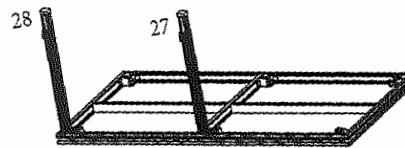
1. Assemble the 9th panel according to the legend and stage scheme on pages 6 and 7.



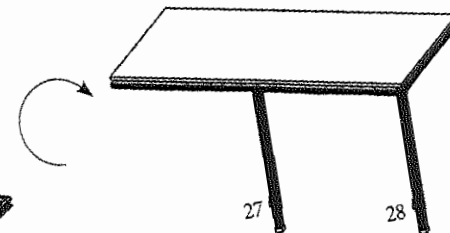
Panel 9

2. Turn panel 9 upright with assembled legs and adaptors (Fig. A).

Fig. A

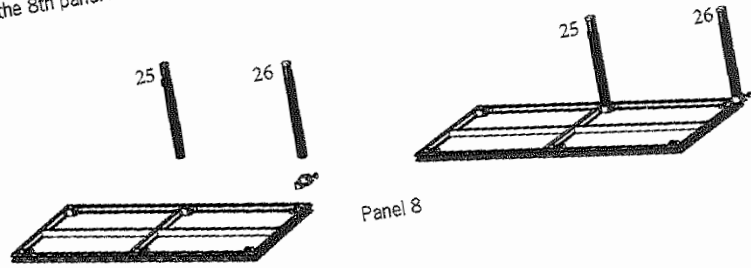


Panel 9



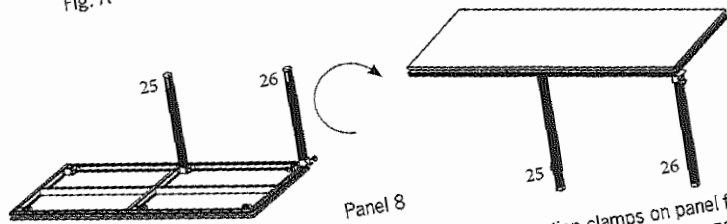
Adding panel 8

1. Assemble the 8th panel according to the legend and stage scheme on pages 6 and 7.



2. Turn panel 7 upright with assembled legs and adaptors (Fig. A).

Fig. A



3. Connect panel 8 with other panels. Attach 4pcs of the PFPSC connection clamps on panel frames underneath the stage where the 2 panels meet and tighten them to firmly attach panel to panel (Fig.B).

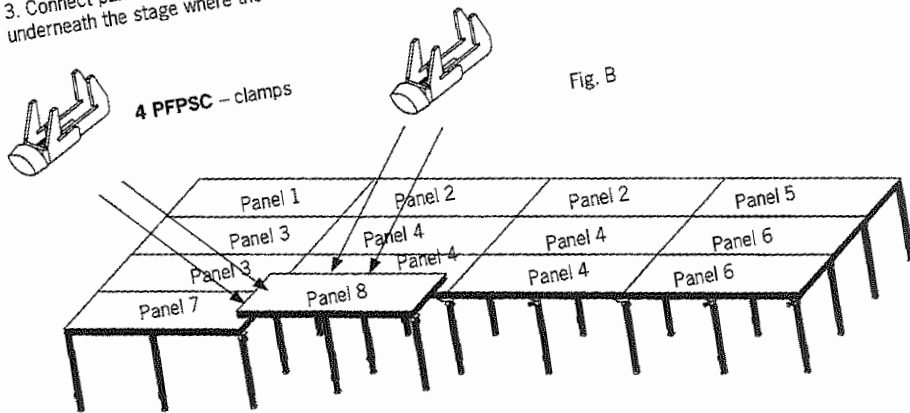


Fig. B

3. Check the level of the 5th panel, if necessary adjust legs accordingly and secure the height of all legs using wrench. (see Fig. D).

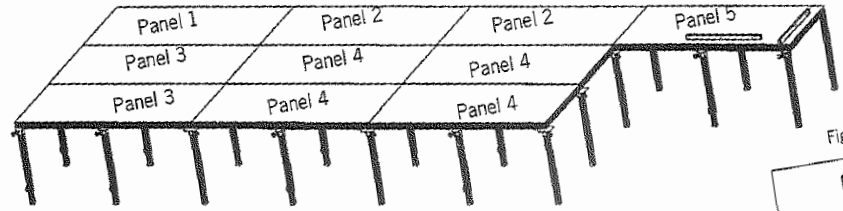
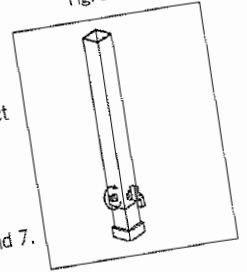


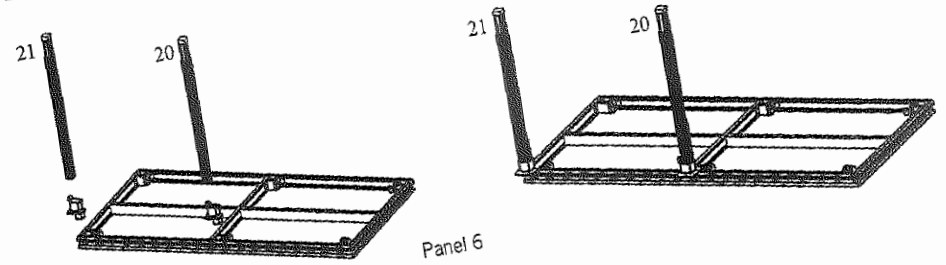
Fig. D

4. Place PFSLI self-leveling inserts on each connection side where panels will connect with another panel as shown in step 4 on page 8.



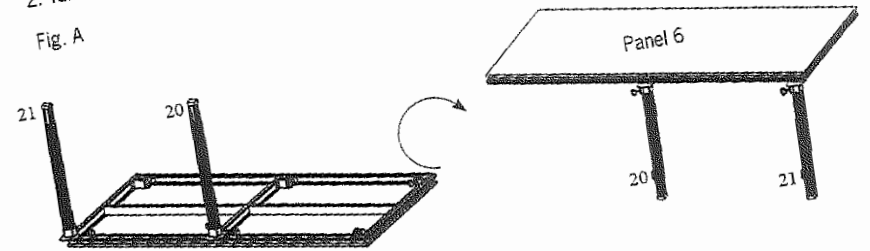
Adding panel 6

1. Assemble the panel 6 according to the legend and stage scheme on pages 6 and 7.



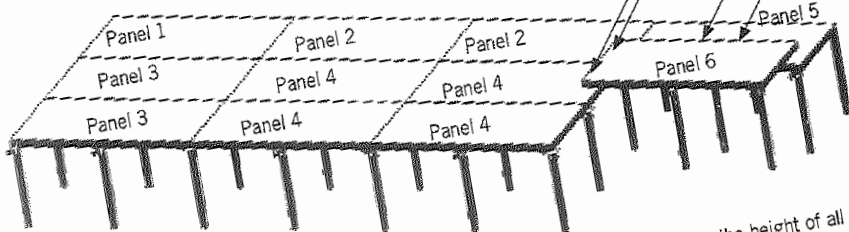
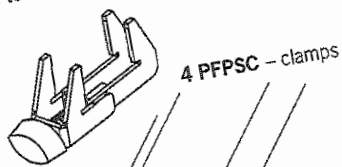
2. Turn panel 5 upright with assembled legs and adaptors (Fig. A).

Fig. A



3. Connect panel 6 with other panels. Attach 4pcs of the **PFPS**C connection clamps on panel frames underneath the stage (where the 2 panels meet and tighten them to firmly attach panel to panel) (Fig.B).

Fig. B



4. Check the level of the 6th panel, if necessary adjust legs accordingly and secure the height of all legs using wrench. (see Fig. D).

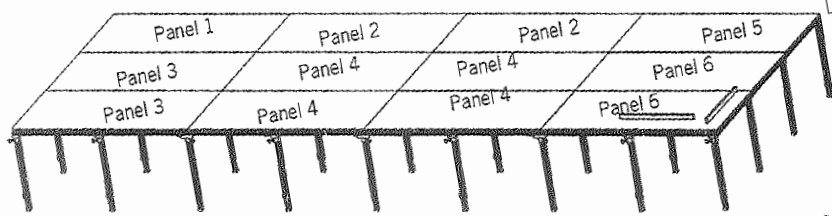
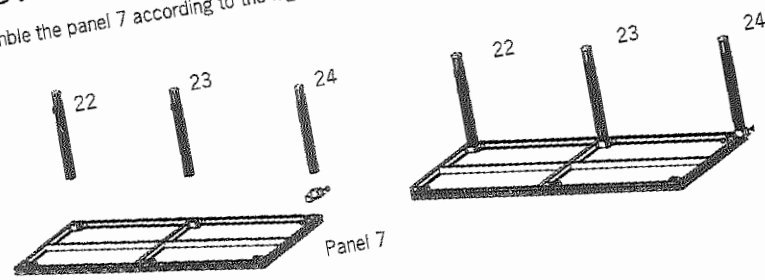


Fig. D

5. Place **PFSLI** self-leveling inserts on each connection side where panels will connect with another panel as shown in step 4 on page 8.

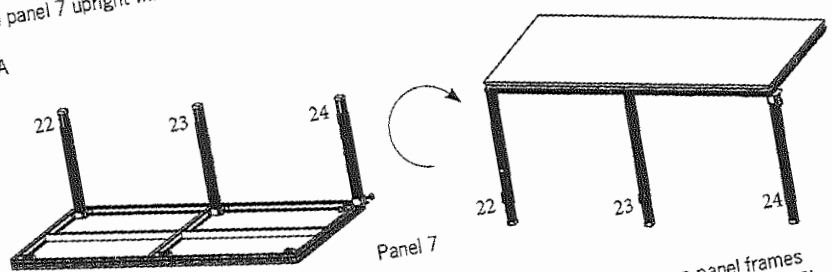
Adding panel 7

1. Assemble the panel 7 according to the legend and stage scheme on pages 6 and 7.



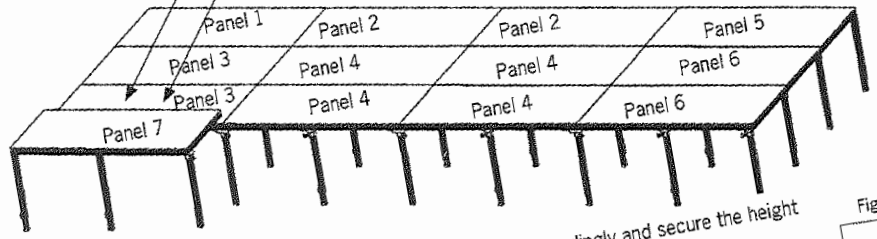
2. Turn panel 7 upright with assembled legs and adaptors (Fig. A).

Fig. A



3. Connect panel 7 with other panels. Attach 2pcs of the **PFPS**C connection clamps on panel frames underneath the stage where the 2 panels meet and tighten them to firmly attach panel to panel (Fig.B).

Fig. B



4. Check the level of the 7th panel, if necessary adjust legs accordingly and secure the height of all legs using wrench. (see Fig. D).

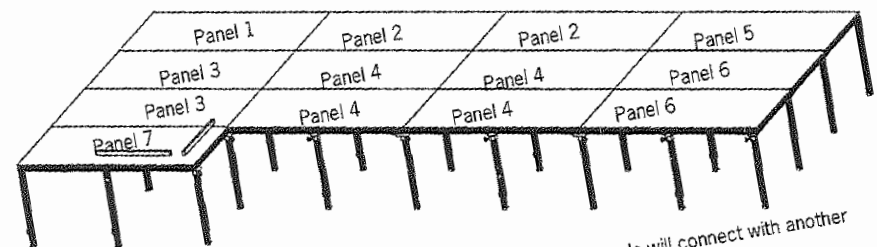


Fig. D

5. Place **PFSLI** self-leveling inserts on each connection side where panels will connect with another panel as shown in step 4 on page 8.